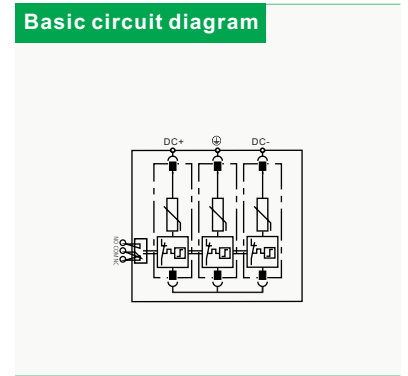
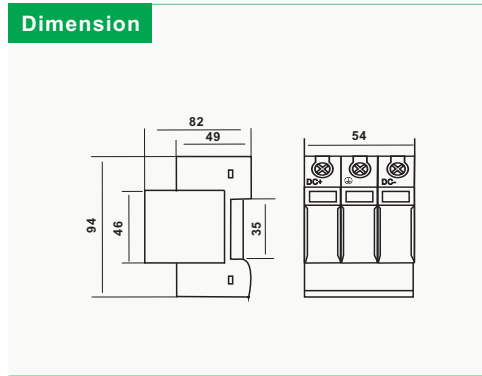


## TRS3 Series high modules PV SPD

SPD PV type 1+2–lightning current and surge arresters for PV installation

Pluggable module, visual fault signalling, module locking

- Varistor surge arrester
- Installation to PV system
- For protection of PV systems on the roofs, where the separating spark-over distance is not kept (connection to LPS)
- Optional remote fault signalling(s)



Parameter/Type	TRS3-C40
Maximum operating voltage mode +/-, +/PE, -/PE $U_{CPV}$	1000V DC
Lightning impulse current(10/350 $\mu$ s) $I_{imp}$	6kA
Nominal discharge current (8/20 $\mu$ s) $I_n$	20kA
Maximum discharge current (8/20 $\mu$ s) $I_{max}$	40kA
Voltage protection level mode +/PE, -/PE $U_p$	$\leq 4.0kV$
Short-circuit current rating $I_{scpv}$	100A
Response time $t_a$	< 25ns
Cross-section of connected conductors solid(min/max)	16mm <sup>2</sup> /35mm <sup>2</sup>
Cross-section of connected conductors stranded(min/max)	16mm <sup>2</sup> /35mm <sup>2</sup>
Fault indication	red indication field
Remote indication	potential-free change-over contact
Remote indication contacts	250V/0,5A AC, 250V/0,1A DC
Cross-section of remote indication conductors	1,5mm <sup>2</sup>
Degree of protection	IP20
Range of operating temperatures (min/ max)	-40°C~+70°C
Humidity range	5%~95%
Mounting	DIN rail 35 mm
According to standard	EN61643-31:2012, IEC61643-31:2011/T1+T2
Remarks	Other $U_{CPV}$ can be customized.(1200VDC, 1500VDC, etc.)

T1+T2 DC SPD