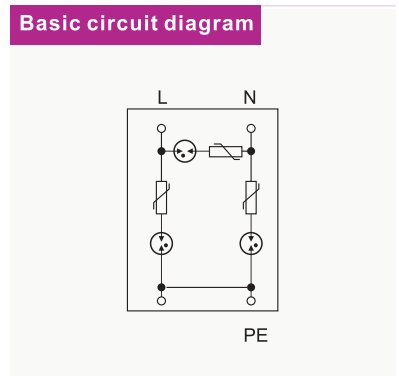
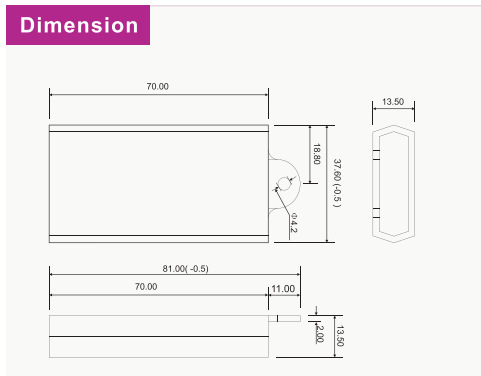


## TRSS-LED Series SPD

LED Street Lights Power SPD: TRSS-LED designed for protecting LED , Driver and could be connected perfectly with its input port, sealed enclosure, waterproof and dustproof, IP67 protection grade belongs to Class III power SPD. This SPD use common mode, differential mode, full protection with leakage current and cut the overcurrent capabilities.

The product size small, 81x 37.6x 13.5mm (Dose not contain the connection line), using parallel wiring, attached with L, N and PE cable, very convenient in installing. TRSS-LED able to withstand voltage 20kV. the level of protection is below 1.1kV, especially good for protecting LED Street lights from lightning surge damage.

- Protect LED Street lights from lightning surge
- Convenient in installation
- Use parallel wiring, attached with L, N and PE cable
- The maximum discharge current is 10kA



Parameter/Type		TRSS-LED
Rated voltage	$U_n$	110– 277V AC
Max. Continuous voltage	$U_c$	390V AC
Norminal discharge current(8/20 $\mu$ s)	$I_n$	5KA
Max. discharge current(8/ 20 $\mu$ s)	$I_{max}$	10KA
Nominal discharge voltage	$V_n$	10KV
Maximum discharge voltage	$V_{max}$	20KV
Voltage protection level	$U_p$	1.1KV
Response time	$t_a$	< 25ns
Cross- section area		1.5mm <sup>2</sup> flexible
Operating temperature range		-40°C~ +70°C
Mounting on		Custom
Enclosure material		ABS765A
Size		81x37.6x13. 5mm
Test standards		EN 61643-11:2012, IEC 61643-11:2011
Fault indicator		Indicator can be option
Outer casing protection grade		IP67
Weight		57g

LED SPD