

THOR

PROTECTOR OF LIGHTNING PROTECTION
- SINCE 2006 -

Catalogue DC MCB





IEC 60947-2

■ TRMX6- 63DC circuit breakers are multi- standard circuit breakers which combine the following functions:

- Circuit protection against short-circuit currents,
- Circuit protection against overload currents,
- Suitable for industrial isolation according to IEC/EN 60947-2, standard.

Main

Product or component type	Miniature circuit-breaker
Device application	Distribution
Poles description	1P
Number of protected poles	1
Network type	DC
Trip unit technology	Thermal-magnetic
Curve code	C
Breaking capacity	6kA

Complementary

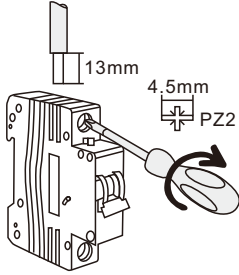
rated operational voltage	U_e	250V DC
Control type		Toggle
Local signalling		ON/OFF indication
Mounting mode		Clip-on
Mounting support		DIN rail 35mm
Colour		Grey
Endurance (O-C)	Electrical	10,000 cycles
	Mechanical durability	20,000 cycles

Environment

Standards	IEC 60947-2
IP degree of protection	IP40 for modular enclosure conforming to IEC 60529
	IP20 conforming to IEC 60529
Operating altitude	2000m
Ambient air temperature for operation	-35°C to +70°C
Ambient air temperature for storage	-40°C to +85°C

Connection

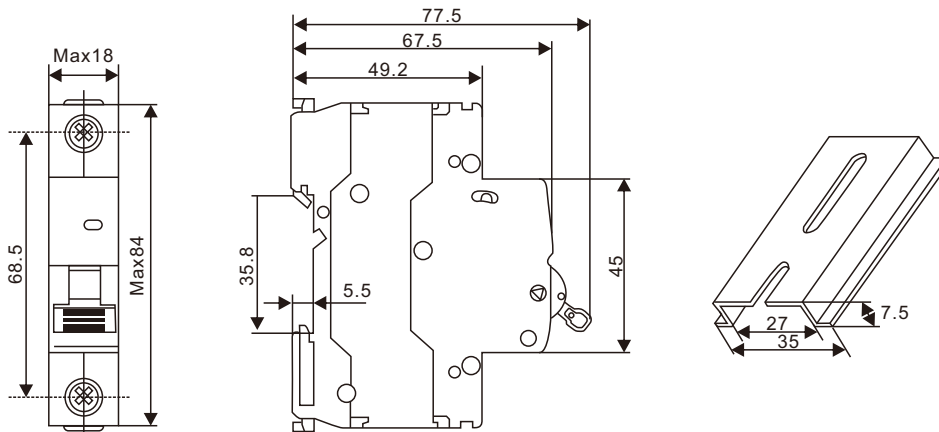
Rating	Tightening torque	Copper cables	
		Rigid	Flexible or ferrule
1 to 25 A	2 N.m	1 to 25 mm ²	1 to 16 mm ²
32 to 63 A	2.5 N.m	1 to 35 mm ²	1 to 25 mm ²



Catalog numbers

Type				Width 9 mm modules
	Rating(In)	C Curve	D Curve	2
	1A	TRMX6-63DC/1/C1	TRMX6-63DC/1/D1	
	3A	TRMX6-63DC/1/C3	TRMX6-63DC/1/D3	
	5A	TRMX6-63DC/1/C5	TRMX6-63DC/1/D5	
	6A	TRMX6-63DC/1/C6	TRMX6-63DC/1/D6	
	10A	TRMX6-63DC/1/C10	TRMX6-63DC/1/D10	
	16A	TRMX6-63DC/1/C16	TRMX6-63DC/1/D16	
	20A	TRMX6-63DC/1/C20	TRMX6-63DC/1/D20	
	25A	TRMX6-63DC/1/C25	TRMX6-63DC/1/D25	
	32A	TRMX6-63DC/1/C32	TRMX6-63DC/1/D32	
	40A	TRMX6-63DC/1/C40	TRMX6-63DC/1/D40	
	50A	TRMX6-63DC/1/C50	TRMX6-63DC/1/D50	
	63A	TRMX6-63DC/1/C63	TRMX6-63DC/1/D63	

Dimensions (mm)





IEC 60947-2

■ **TRMX6- 63DC circuit breakers are multi- standard circuit breakers which combine the following functions:**

- Circuit protection against short-circuit currents,
- Circuit protection against overload currents,
- Suitable for industrial isolation according to IEC/EN 60947-2, standard,
- Fault tripping indication by a red mechanical indicator in circuit breaker front face.

Main

Product or component type	Miniature circuit-breaker
Device application	Distribution
Poles description	2P
Number of protected poles	2
Network type	DC
Trip unit technology	Thermal-magnetic
Curve code	C
Breaking capacity	6kA

Complementary

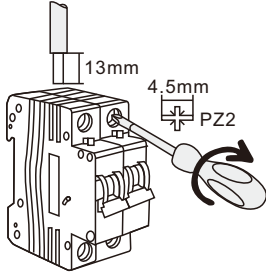
rated operational voltage	U_e	800V DC
Control type		Toggle
Local signalling		ON/OFF indication
Mounting mode		Clip-on
Mounting support		DIN rail 35mm
Colour		Grey
Endurance (O-C)	Electrical	10,000 cycles
	Mechanical durability	20,000 cycles

Environment

Standards	IEC 60947-2
IP degree of protection	IP40 for modular enclosure conforming to IEC 60529
	IP20 conforming to IEC 60529
Operating altitude	2000m
Ambient air temperature for operation	-35°C to +70°C
Ambient air temperature for storage	-40°C to +85°C

Connection

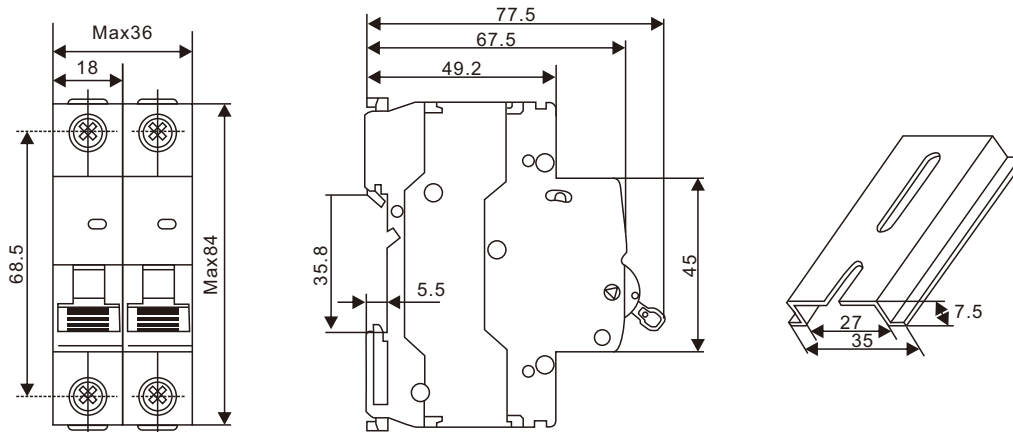
Rating	Tightening torque	Copper cables	
		Rigid	Flexible or ferrule
1 to 25 A	2 N.m	1 to 25 mm ²	1 to 16 mm ²
32 to 63 A	2.5 N.m	1 to 35 mm ²	1 to 25 mm ²



Catalog numbers

Type	Width 9 mm modules				
	2P	Rating(In)	C Curve	D Curve	4
	1A	TRMX6-63DC/2/C1	TRMX6-63DC/2/D1		
	3A	TRMX6-63DC/2/C3	TRMX6-63DC/2/D3		
	5A	TRMX6-63DC/2/C5	TRMX6-63DC/2/D5		
	6A	TRMX6-63DC/2/C6	TRMX6-63DC/2/D6		
	10A	TRMX6-63DC/2/C10	TRMX6-63DC/2/D10		
	16A	TRMX6-63DC/2/C16	TRMX6-63DC/2/D16		
	20A	TRMX6-63DC/2/C20	TRMX6-63DC/2/D20		
	25A	TRMX6-63DC/2/C25	TRMX6-63DC/2/D25		
	32A	TRMX6-63DC/2/C32	TRMX6-63DC/2/D32		
	40A	TRMX6-63DC/2/C40	TRMX6-63DC/2/D40		
	50A	TRMX6-63DC/2/C50	TRMX6-63DC/2/D50		
	63A	TRMX6-63DC/2/C63	TRMX6-63DC/2/D63		

Dimensions (mm)





IEC 60947-2

■ **TRMX6- 63DC circuit breakers are multi- standard circuit breakers which combine the following functions:**

- Circuit protection against short-circuit currents,
- Circuit protection against overload currents,
- Suitable for industrial isolation according to IEC/EN 60947-2, standard,
- Fault tripping indication by a red mechanical indicator in circuit breaker front face.

Main

Product or component type	Miniature circuit-breaker
Device application	Distribution
Poles description	4P
Number of protected poles	4
Network type	DC
Trip unit technology	Thermal-magnetic
Curve code	C
Breaking capacity	6kA

Complementary

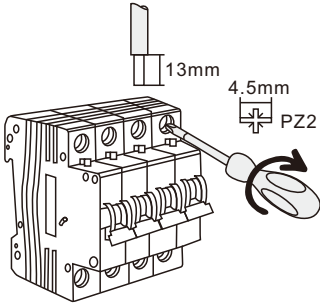
rated operational voltage	U_e	1000V DC
Control type		Toggle
Local signalling		ON/OFF indication
Mounting mode		Clip-on
Mounting support		DIN rail 35mm
Colour		Grey
Endurance (O-C)	Electrical	10,000 cycles
	Mechanical durability	20,000 cycles

Environment

Standards	IEC 60947-2
IP degree of protection	IP40 for modular enclosure conforming to IEC 60529
	IP20 conforming to IEC 60529
Operating altitude	2000m
Ambient air temperature for operation	-35°C to +70°C
Ambient air temperature for storage	-40°C to +85°C

Connection

Rating	Tightening torque	Copper cables	
		Rigid	Flexible or ferrule
1 to 25 A	2 N.m	1 to 25 mm ²	1 to 16 mm ²
32 to 63 A	2.5 N.m	1 to 35 mm ²	1 to 25 mm ²



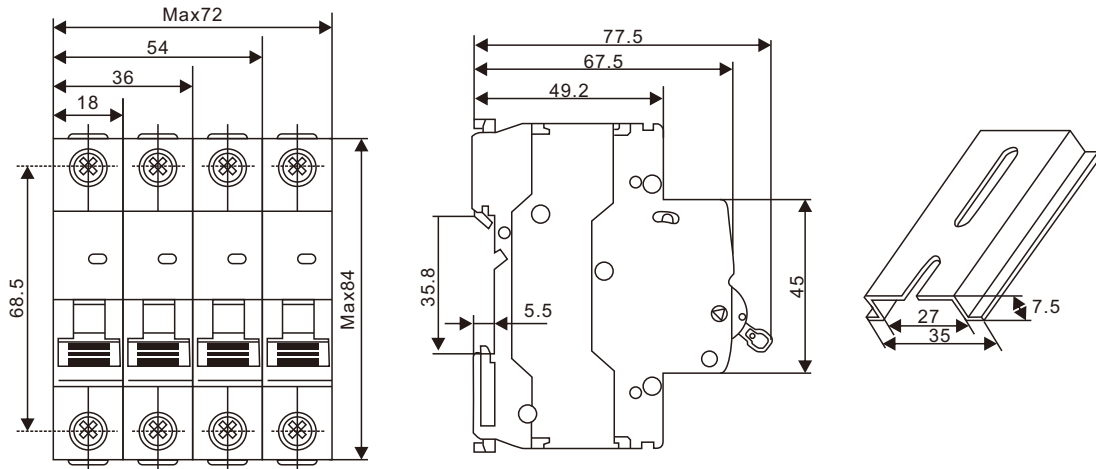
Catalog numbers

Type	Width 9 mm modules		
	Rating(In)	C Curve	D Curve
	1A	TRMX6-63DC/4/C1	TRMX6-63DC/4/D1
	3A	TRMX6-63DC/4/C3	TRMX6-63DC/4/D3
	5A	TRMX6-63DC/4/C5	TRMX6-63DC/4/D5
	6A	TRMX6-63DC/4/C6	TRMX6-63DC/4/D6
	10A	TRMX6-63DC/4/C10	TRMX6-63DC/4/D10
	16A	TRMX6-63DC/4/C16	TRMX6-63DC/4/D16
	20A	TRMX6-63DC/4/C20	TRMX6-63DC/4/D20
	25A	TRMX6-63DC/4/C25	TRMX6-63DC/4/D25
	32A	TRMX6-63DC/4/C32	TRMX6-63DC/4/D32
	40A	TRMX6-63DC/4/C40	TRMX6-63DC/4/D40
	50A	TRMX6-63DC/4/C50	TRMX6-63DC/4/D50
	63A	TRMX6-63DC/4/C63	TRMX6-63DC/4/D63

8

DC MCB

Dimensions (mm)





THOR

Zhejiang THOR Electric Co.,Ltd

ADD: Qianyangdong Industrial Zone Yueqing
Zhejiang Province,China Post code:325604

TEL: +86-577-6267 7705

Main Web: www.thorele.com

Sub Web 1 : www.thorspd.com

Sub Web 2: www.thorsurge.com

